




DINSE

It's time for a change.



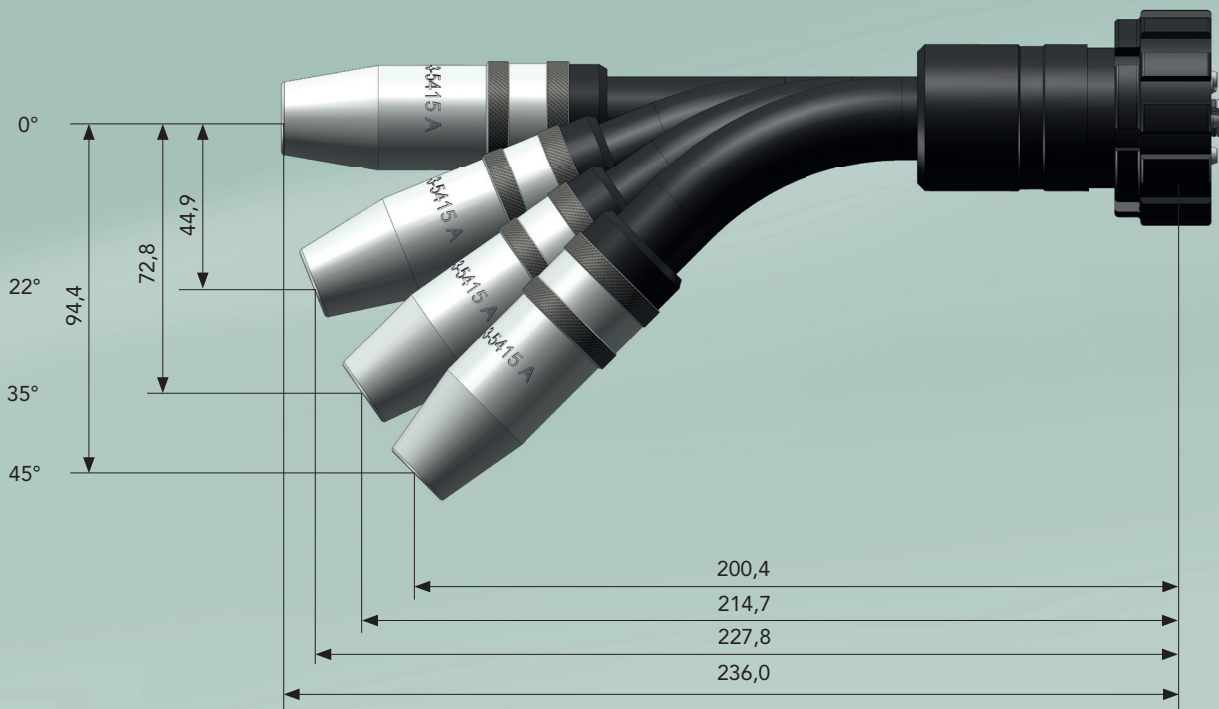
DIX MBTZ 54xx
The DINSE torch for your Abicor Binzel® system is waiting to perform

An impressive showing every step of the way:

- ▶ Premium quality DINSE torch head on your Abicor Binzel® torch set
- ▶ Consistent and reliable TCP puts your welding wire in the exact same spot every time
- ▶ Highly effective dual-circuit cooling keeps your torch neck and consumables running cooler
- ▶ Convincing performance



DIX MBTZ 5400/5422/5435/5445



Performance data (DIN EN 60 974-7)

DIX MBTZ 5400	450A/100% DC C1	400A/100% DC M21
DIX MBTZ 5422	450A/100% DC C1	400A/100% DC M21
DIX MBTZ 5435	450A/100% DC C1	400A/100% DC M21
DIX MBTZ 5445	450A/100% DC C1	400A/100% DC M21

Areas of application

Non-alloyed, low-alloy and high-alloy steels

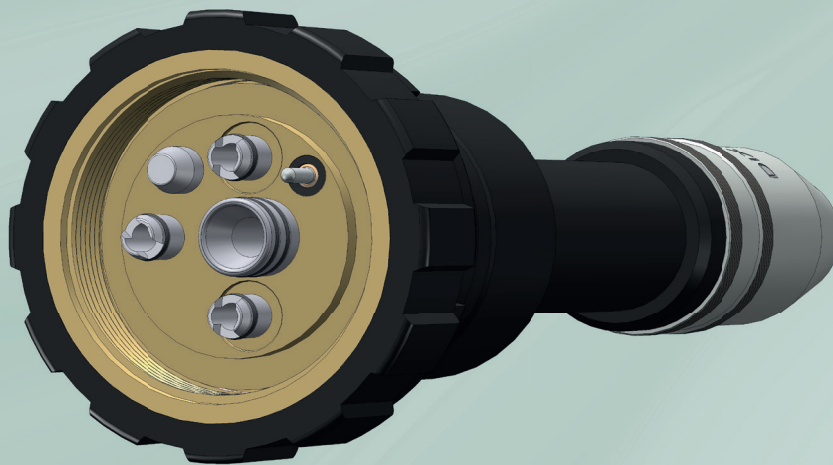
Aluminum, copper, magnesium and nickel-based alloys

Medium and large material thicknesses

An upgrade of your system has never been so easy!

Now you can have all advantages of the DINSE quality torch on your Abicor Binzel® welding equipment. The DINSE torch heads can be easily and conveniently connected to the existing torch set for automatic or robotic welding.

We deliver the perfect torch head for your welding torch. The change takes place in an instant: Just screw on and start welding - the TCP stays the same.



The DINSE dual-circuit liquid cooling ensures optimum heat reduction thereby enabling significantly longer operating times at high duty cycles - and thus optimizing your production.



The high quality manufacturing of our torch heads ensures long and economical use. The various components can be individually replaced as they wear. The modular design allows great flexibility.

Description	Dimension	Part name	Part number
Gas nozzle	ID ø 13 mm	DIX 1-3-5413 A	6390154130
Gas nozzle	ID ø 15 mm	DIX 1-3-5415 A	6390154150
Gas nozzle	ID ø 18 mm	DIX 1-3-5418 A	6390154180
Insulator		DIX 2-3-500	6390250000
Contact tip	ø 8 x 45 mm	DIX 3-2-__ SR	6290354__
Contact tip	M6 x 24 mm	DIX 3-2-__	6290300__
Contact tip	M6 x 28 mm	DIX 3-2-__ CR-ZR	6290330__
Contact tip	M8 x 28 mm	DIX 3-2-__ M8	6290301__
Contact tip	M8 x 28 mm	DIX 3-2-__ M8 CR-ZR	6290331__
Tip adapter	M6	DIX GS 2 M6	628150006
Clamp nut		DIX 4-2-MAS	6390454000
Tip adapter	M8	DIX GS 2 M8	628150008
Gas diffusor		DIX 10-3-540	6391054000
O - ring	(unit 10 pcs.)		639060003
Torch neck	0°	DIX 6-3-5400 MBTZ	639068000
Torch neck	22°	DIX 6-3-5422 MBTZ	639068001
Torch neck	35°	DIX 6-3-5435 MBTZ	639068002
Torch neck	45°	DIX 6-3-5445 MBTZ	639068003
Rubber cover		DIX GT 5400 MBTZ	639068029
Protective cap		DIX 6-3-5400 MBTZ	639068011

Description	Dimension	Part name	Part number
Torch head	0°	DIX MBTZ 5400	631315400
Torch head	22°	DIX MBTZ 5422	631315420
Torch head	35°	DIX MBTZ 5435	631315435
Torch head	45°	DIX MBTZ 5445	631315440

Welding without compromises.



DINSE is your dependable partner for the entire welding process. Contact us and schedule an appointment for personal consultation today. Together with you we will find the best solution for your application.



+49-(0)40-65875-0



info@dinse.eu

DINSE G.m.b.H. • Niewisch 9 • 22848 Norderstedt • www.dinse.eu